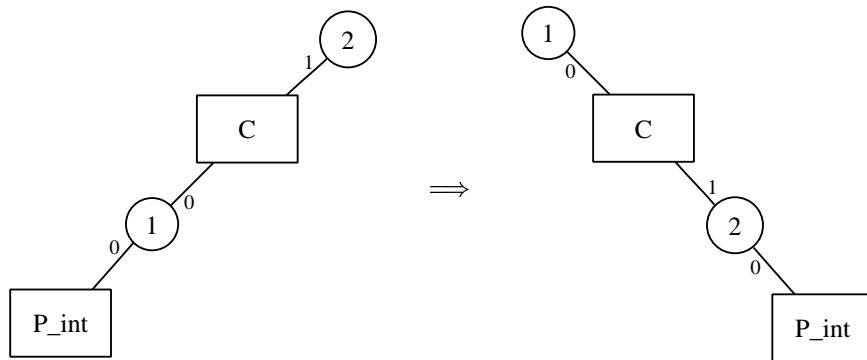


rule1:



rule2:

